

▲ SAFETY FAN SYSTEM

▲ ART NO: 914014, 914015, 914016, 914013

▲ MATERIAL INTERCEPTION

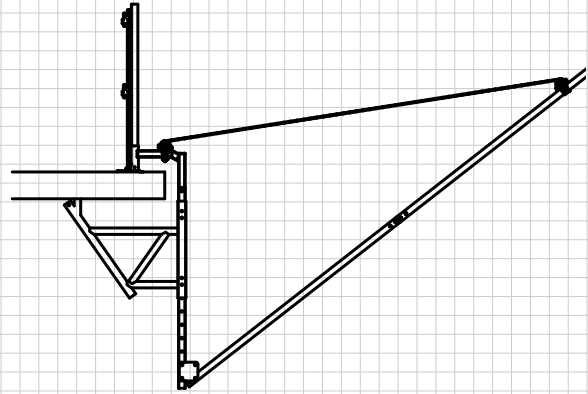
▲ CAN BE INSTALLED WITHOUT CRANE

SafetyRespect Safety Fan is used as protection against falling objects. The system is a complement to SafetyRespect and other products and is used to intercept falling materials and objects that pose a risk of injury to persons or damage to objects.

Please find more information in our user's manual.

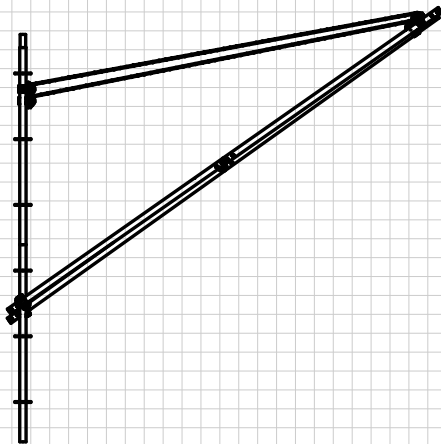
SAFETY FAN SLAB (ART NO 914014)

Installed on the slab with the possibility of being directly integrated with SafetyRespect's standard edge protection system.



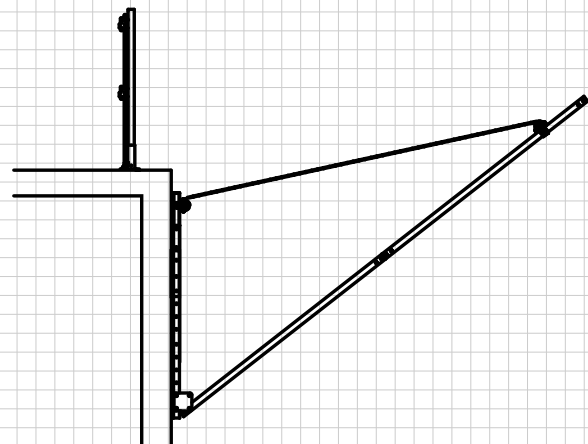
SAFETY FAN SCAFFOLDING (ART NO 914015)

Can be mounted onto most common scaffoldings.

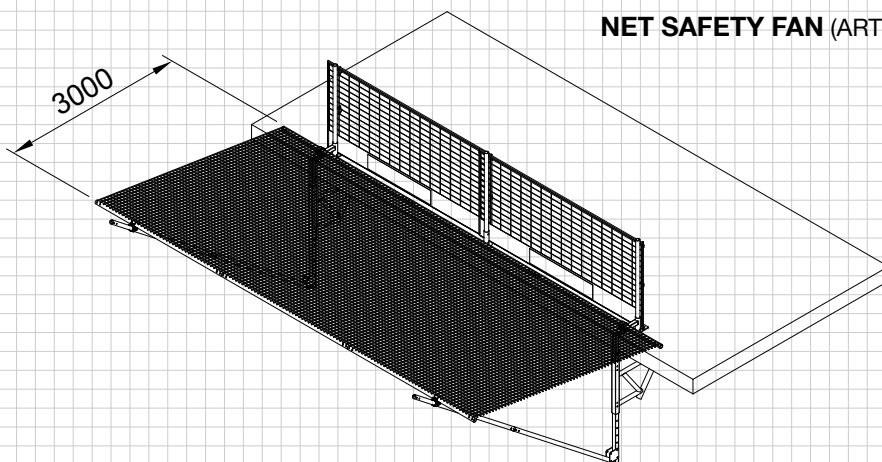


SAFETY FAN WALL (ART NO 914016)

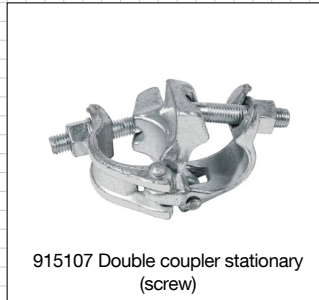
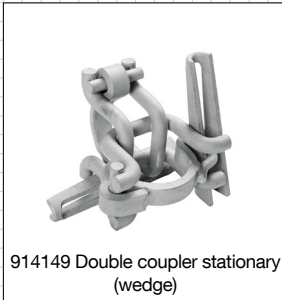
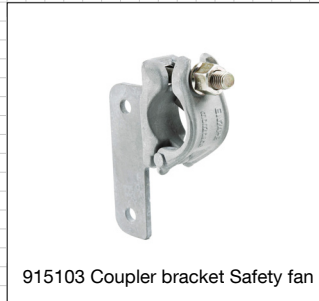
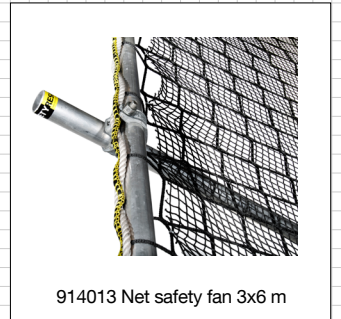
Mounted on a vertical surface with standard edge protection mounted freestanding on the working surface.



NET SAFETY FAN (ART NO 914013)



SAFETY FAN SYSTEM



We reserve the right to make technical changes.