

# PRECAST ATTACHMENTS

## TECHNICAL INFORMATION



**WE  
SAVE  
LIVES**

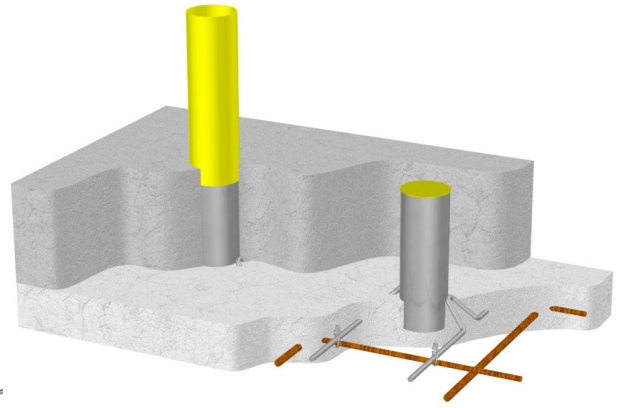
**SAFETY RESPECT**

## PRECAST ATTACHMENTS

### PRECAST SOCKET

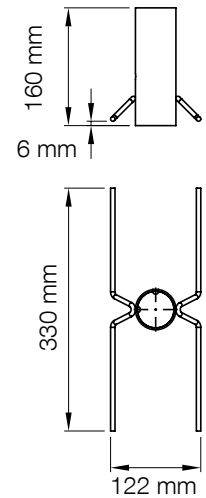
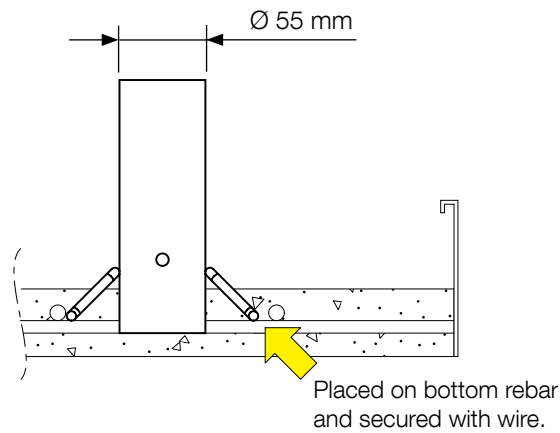
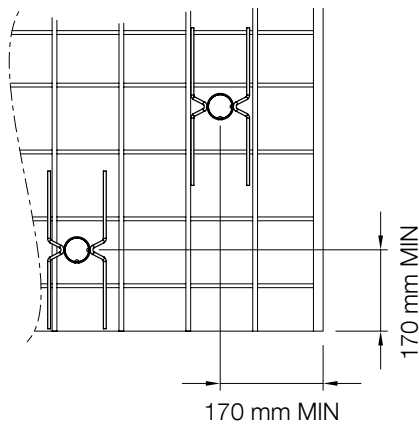
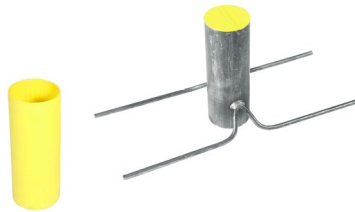
Part. no. 911108

- Precast socket with integrated post lock for casting in to prefabricated constructions.
- To be positioned on the bottom reinforcement.
- Delivered with plastic cover.
- Weight 0,7 kg.



### PROTECTIVE SLEEVE

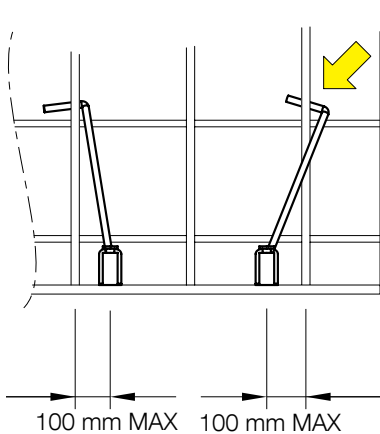
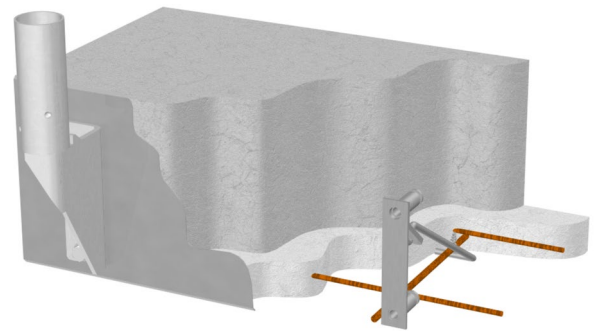
Art. no. 911107



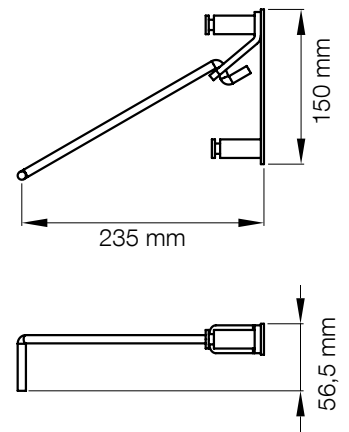
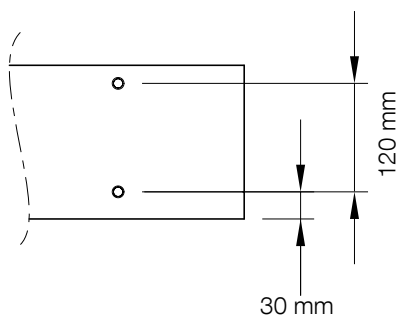
### PRECAST EDGE HOLDER

Part. no. 911112

- Installed on the inside of the form work on prefabricated flat floor structures.
- M12 c/c 120 mm.
- Weight 0,8 kg.



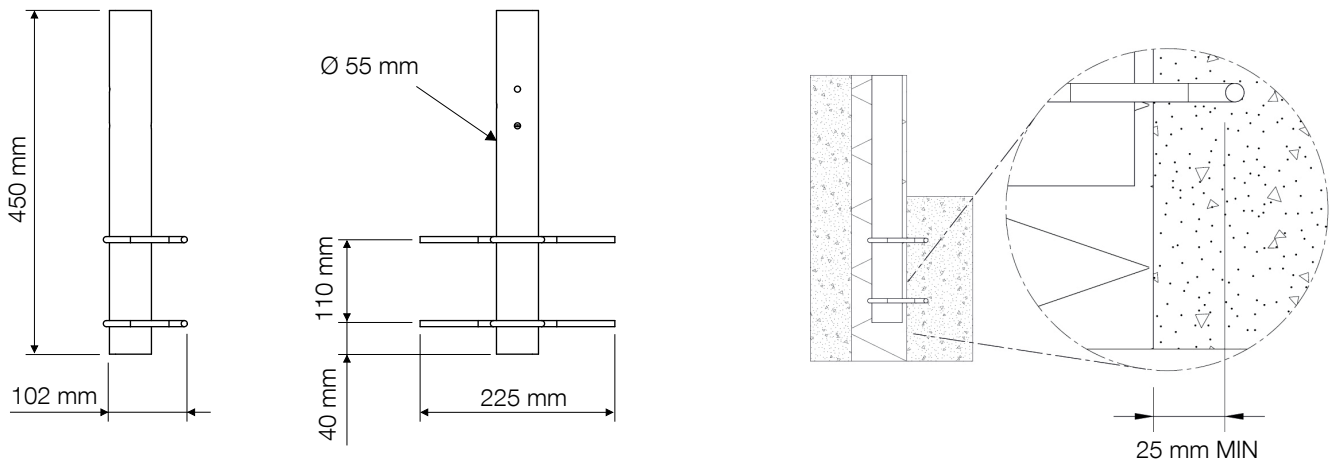
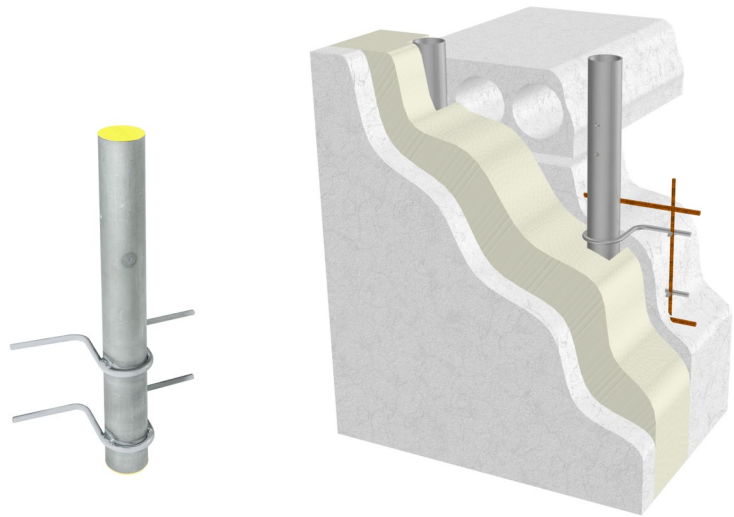
Hook always placed underneath rebar and secured with wire.



## PRECAST SOCKET WALL

Part. no. 911200

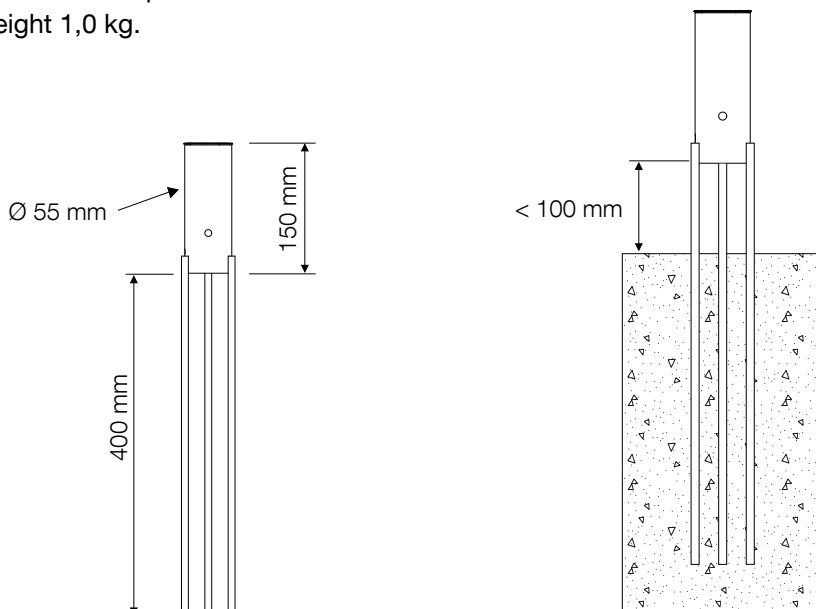
- For casting in to prefabricated concrete walls to create attachments for the edge protection in the outer slab edge.
- Length 450 mm.
- Integrated post lock.
- Delivered with plastic cover.
- Weight 1,8 kg.



## SOCKET WITH REBAR 400 MM

Part.no. 911114

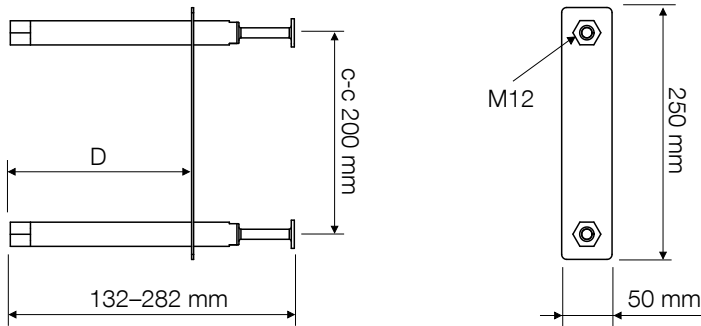
- For building structures cast in place.
- Length of reinforcement 400 mm.
- Integrated post lock.
- Delivered with plastic lid.
- Weight 1,0 kg.



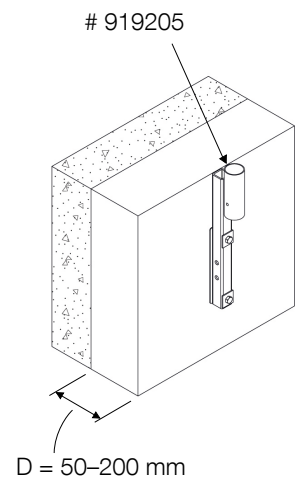
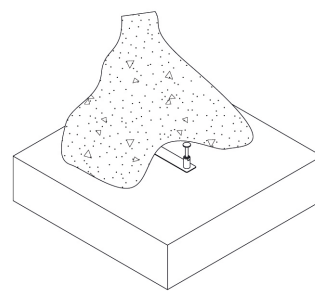
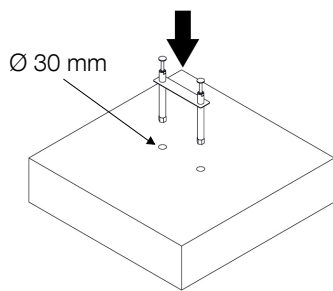
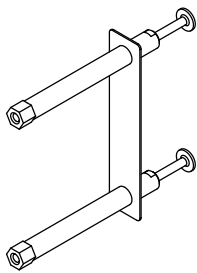
# WI BRACKET

Part.no. 919200

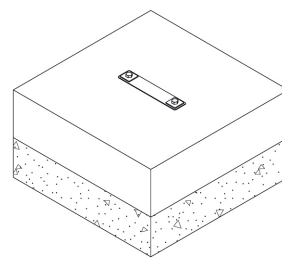
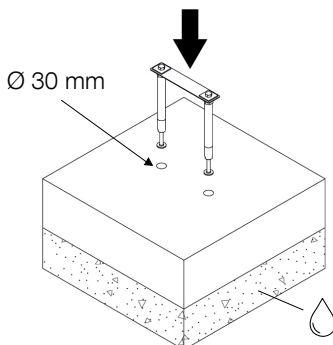
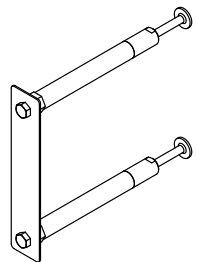
- Precast insertion into wall elements.
- Custom length depending on insulation thickness.
- Insulation thickness up to 200 mm.
- Used with Flex vertical beam.
- M12 c/c 200 mm
- Weight 1,8 kg.

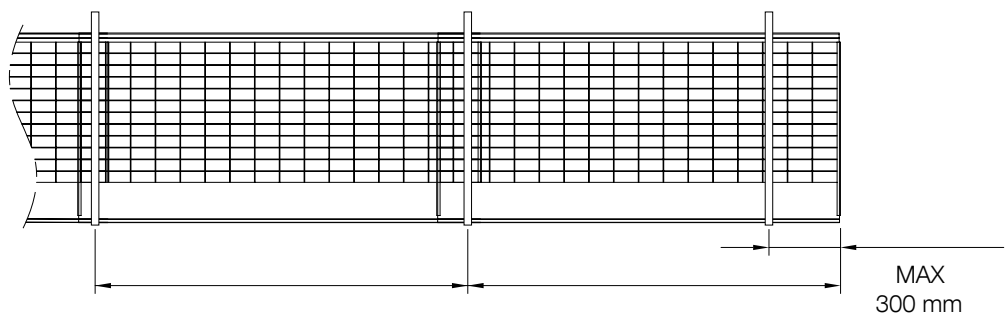
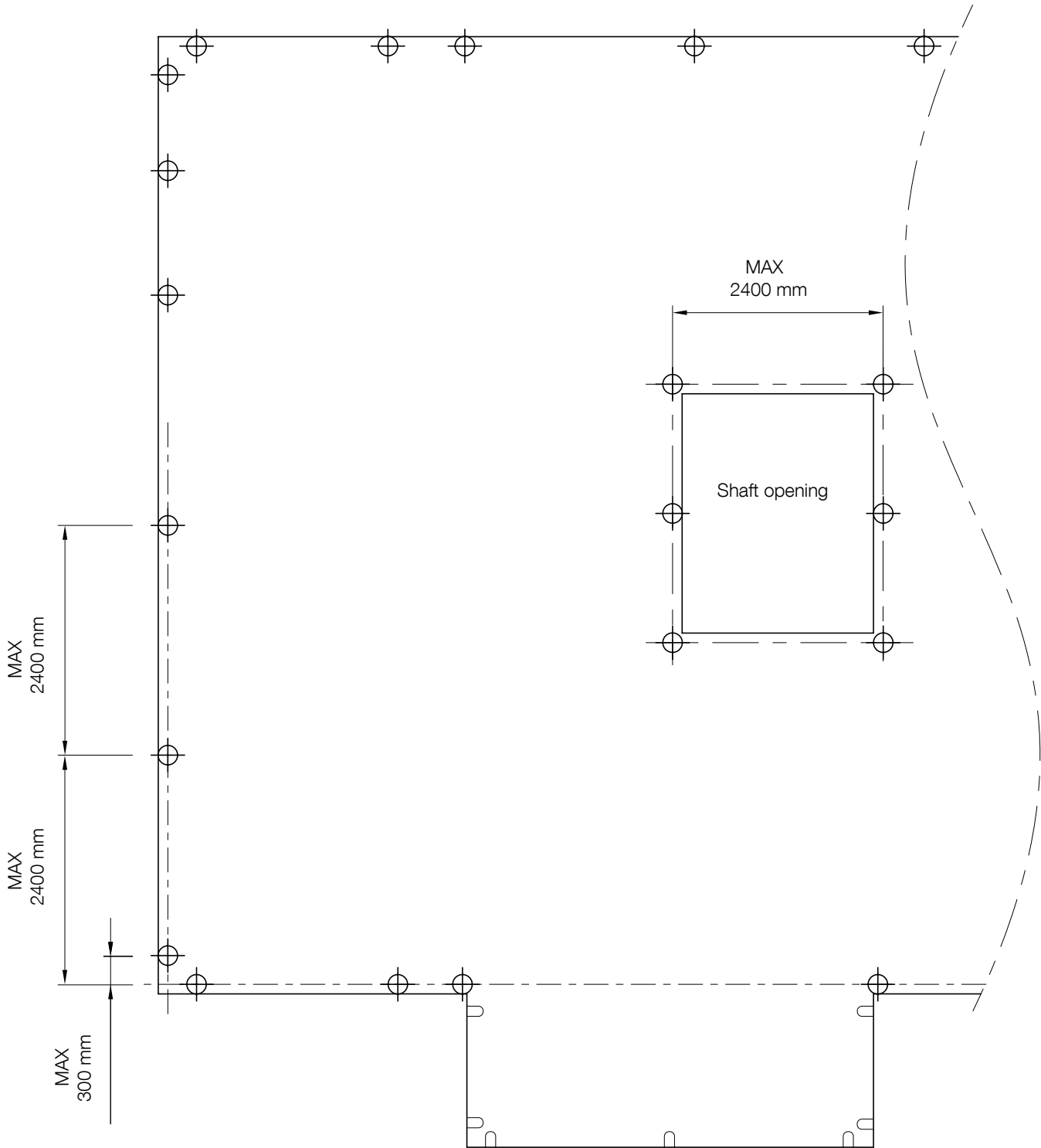


Alt I



Alt II





	MAX	MAX
Barrier 2,6	2400 mm	2400 mm
Barrier 1,95	1800 mm	1800 mm
Barrier 1,3	1200 mm	1200 mm



We reserve the right to make any technical changes. Copyright © 2023 SafetyRespect [May 12 2023].



info@safetyrespect.com  
www.safetyrespect.com

